

# Caldera Tech Series

18K Btu/h Single-Zone Heat Pump System

Outdoor Model: ML18HP230CALH-O

Indoor Model: ML18HP230CALH-I



Submittal Data Sheet	
Location:	Approval:
Engineer:	Date:
Submitted to:	Construction:
Submitted by:	Unit #:
Reference:	Drawing #:



INDOOR SPECIFICATION		
Indoor Air Flow (Turbo/H/M/L/Si) (CFM)		812.3 / 618.0 / 412.0 / 317.8 / /
Indoor Noise Level (Turbo/H/M/L/Si) (dBA)		54.5/43.5/38.5/27/16
Dimension (WxDxH)	inch	46.85x11.02x14.61
	mm	1190x280x371
Package (WxDxH)	inch	46.85x11.02x14.61
	mm	1190x280x371
Net/Gross Weight	lbs	43.65/55.56
	kg	19.8/25.2

OUTDOOR SPECIFICATION		
Compressor Type		ROTARY
Compressor Model		KTM240D46UKT2
Refrigerant		R454B
Refrigerant Oil Charge(mL)		620
Refrigerant Oil		VG74
Outdoor Air Flow (Max) (CFM)		2235.3
Outdoor Noise Level (dBA)		61.5
Dimension (WxDxH)	inch	37.24 x 16.14 x 31.89
	mm	946.0x410.0x810.0
Package (WxDxH)	inch	42.91 x 19.68 x 34.84
	mm	1090x500x885
Net/Gross Weight	lbs	130.29/141.31
	kg	59.1/64.1

EFFICIENCY			
Cooling		Heating	
SEER2	25.6	HSPF2-4	16.2
EER2	15.0	COP	4.40

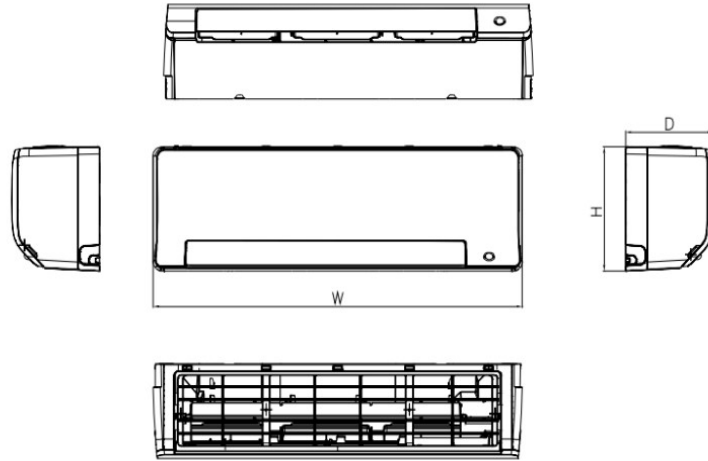
PERFORMANCE of Cooling	
Cooling (Btu/hr)	
Rated Capacity	18000
Min/Max Capacity	12600~27900
Moisture Removal(L/h)	1.1
Standard Operating Range(°F/°C)	-22~-122(-30~50)
Conditions:	Indoor: 80°F DB/67°F WB Outdoor: 95°F DB/75°F WB

PERFORMANCE of Heating	
Heating (Btu/hr)	
1. @ 47°F Rated	20000
1. @ 47°F Min/Max Capacity	9700~29700
2. @ 17°F Rated	19300
3. @ 5°F Rated: Capacity / COP	22600/2.34
3. @ 5°F Max: Capacity	22600
Standard Operating Range(°F/°C)	-22~-75(-30~24)
1. Conditions:	Indoor: 70°F DB/60°F WB Outdoor: 47°F DB/43°F WB
2. Conditions:	Indoor: 70°F DB/60°F WB Outdoor: 17°F DB/15°F WB
3. Conditions	Indoor: 70°F DB/60°F WB Outdoor: 5°F DB/5°F WB

ELECTRICAL	
Power Supply	208/230V,60Hz,1Ph
System MCA	24.9
Connection Wiring	14#x4
System MOCP	25
Compressor RLA	15.0
Outdoor Fan Motor RLA	1.3
Outdoor Fan Motor W	120
Indoor Fan Motor RLA	1.3
Indoor Fan Motor W	58
System Power Input @ Cooling (W)	1200(940 ~ 2280)
System Power Input @ Heating (W)	1332(525 ~2440)
MCA: Min. circuit amps (A)	MOCP: Max. over current protection (A)
RLA: Rated load amps (A)	W: Fan motor rated output (W)

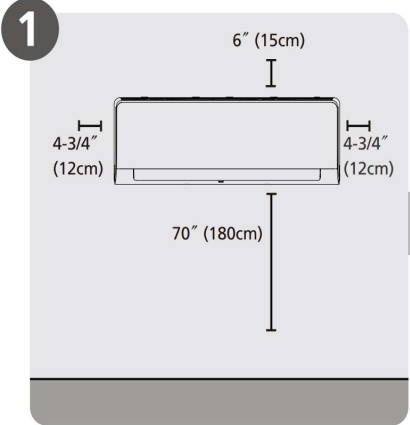
PIPING	
Throttle type(Indoor)	N/A
Throttle type(Outdoor)	EXV+Throttle valve
Liquid Size	9.52mm(3/8in)
Gas Size	15.9mm(5/8in)
Max. Piping Length(ft/m)	164.00(50)
Max. Height Difference(ft/m)	82.00(25)
Max. Pre-charged Length(ft/m)	24.6(7.5)
Refrigerant Pre-charged Amount(oz/g)	63.49(1.8)
Additional Charge of Refrigerant(oz/ft)/(g/m))	0.32(30)
Connection Method	Flared

## Indoor Unit Dimension

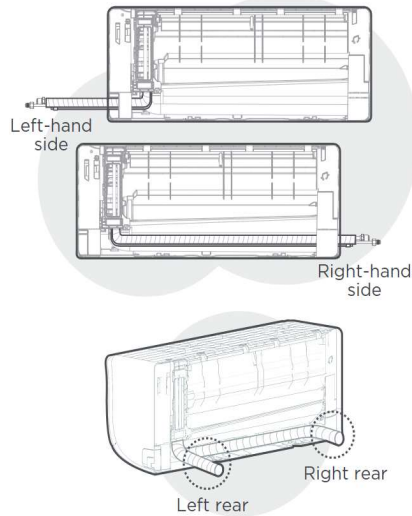


Capacity	Body Code	Unit	W	D	H
6K-12K	C	mm	1017	242	319
		inch	40.04	9.53	12.56
18K	D	mm	1190	280	371
		inch	46.85	11.02	14.61

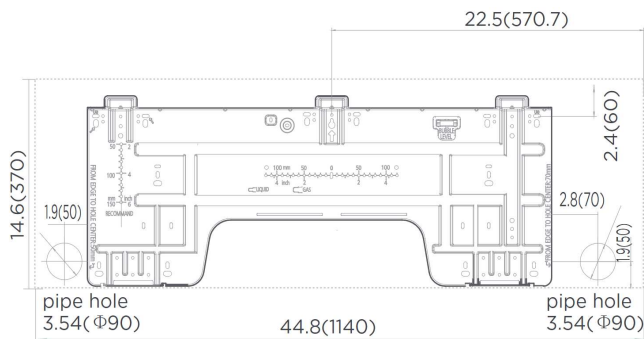
## Installation Instruction



**Select Installation Location**

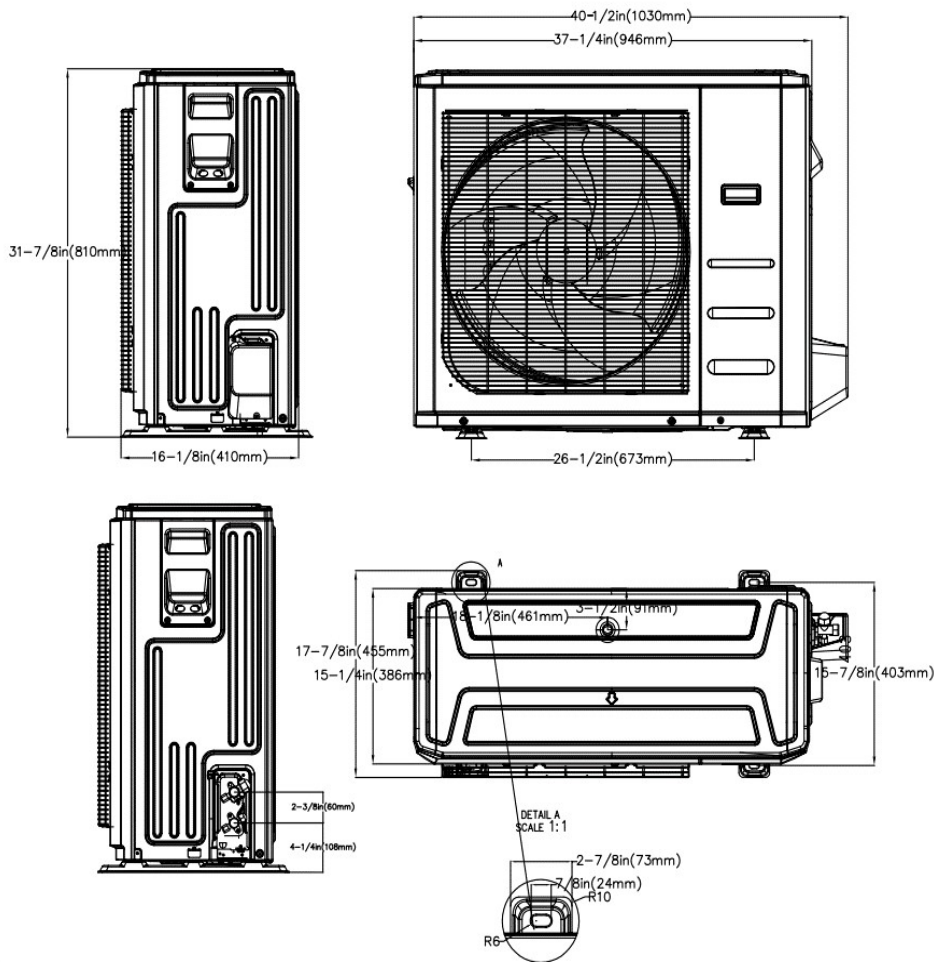


**NOTE:**  
Based on the position of the wall hole relative to the mounting plate, choose the side from which the piping will exit the unit. You have four options for the exit direction of the piping.

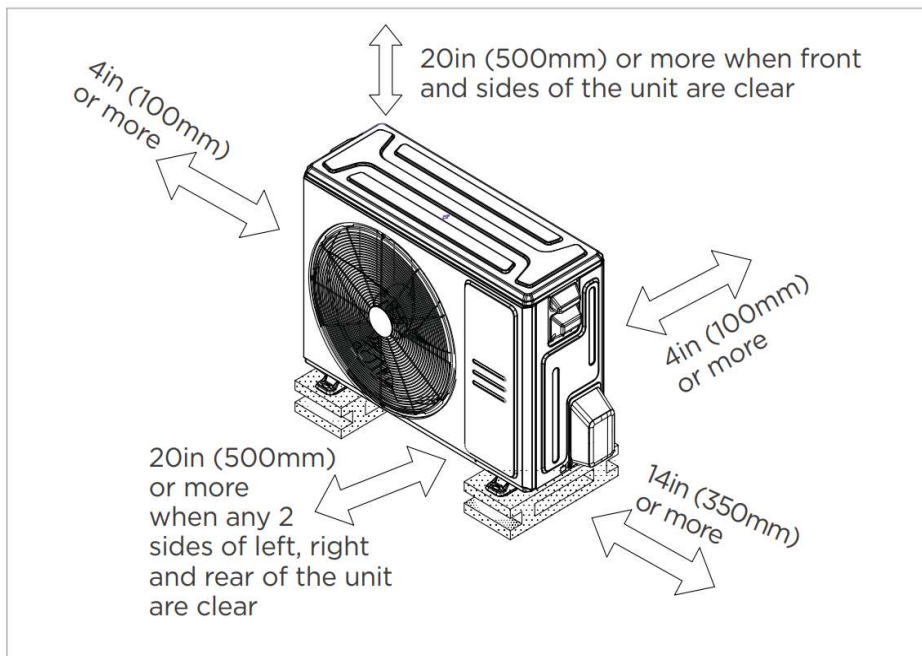


**NOTE:**  
When the gas side connective pipe is  $\Phi$  (5/8in)16mm or more, the wall hole should be (3-1/2in)90mm.

## Outdoor Unit Dimension



## Installation Instruction



Meets all spatial requirements shown in Installation Clearance Requirements above.

## FEATURES

- Intelligent eye
- Easy maintenance design
- Indoor unit TU1 copper coil
- Humidity control
- 1~100% fan speed setting
- WiFi capability: through WiFi dongle or wired controller with built-in WiFi
- OTA(by using WiFi dongle)
- Multiple control options available:
  - Two way communication wired controller:120N(X6)
  - Two way communication wired controller with built-in WiFi:120N(X6W)
  - Infrared wired controller: 120L
  - Wireless remote controller
  - Third-Party 24V Thermostat\*

\*24V interface is required.